

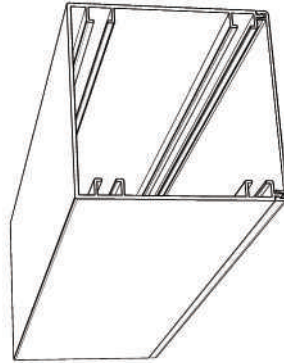
WE CAN
CREATE PRIVATE AND
SECURE SPACE FOR YOU

ROLLING ROOF

The Main Parts of Aluminum Used in Bioclimatics

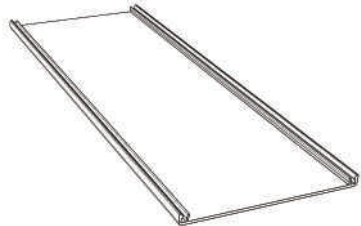


GU 3174
4,198 kg/m

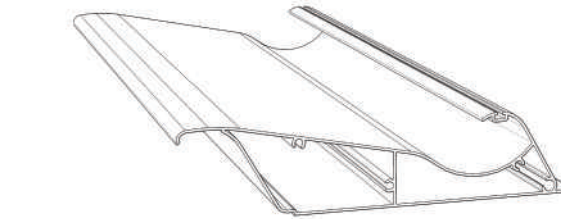


GU 3174
4,198 kg/m

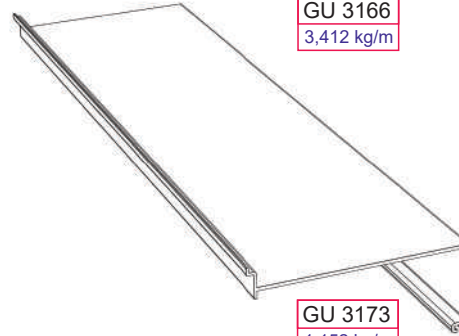
GU 3175
1,084 kg/m



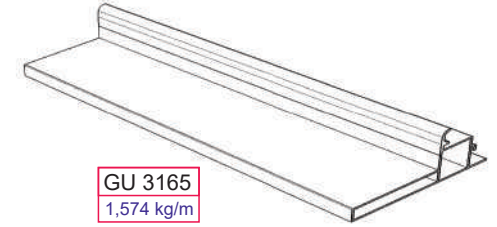
GU 3175
1,084 kg/m



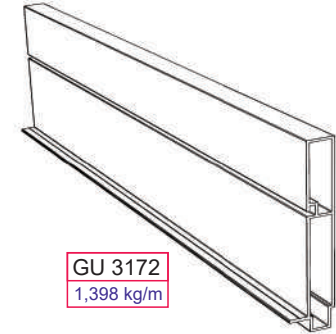
GU 3166
3,412 kg/m



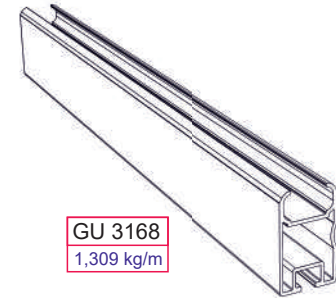
GU 3173
1,152 kg/m



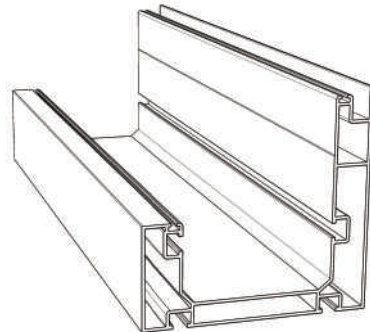
GU 3165
1,574 kg/m



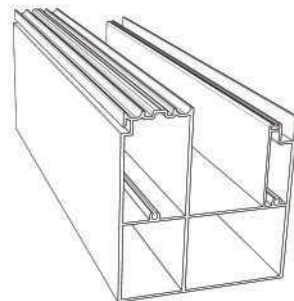
GU 3172
1,398 kg/m



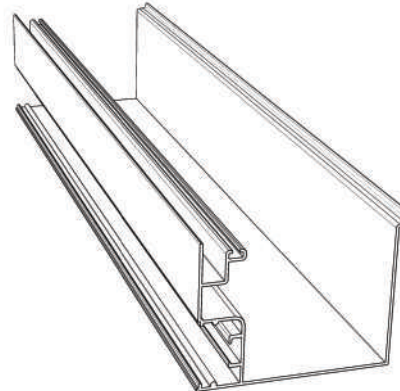
GU 3168
1,309 kg/m



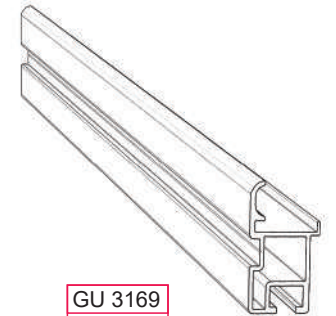
GU 3171
4,691 kg/m



GU 3170
6,859 kg/m



GU 3167
1,558 kg/m



GU 3169
1,135 kg/m

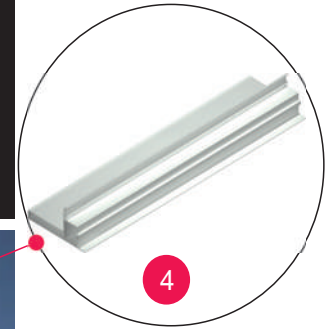
Powered by an electric motor and sealed with high quality gasket plugs, providing a completely airtight space which can be used in all weather conditions.

The motorized roof consists of rotatable aluminum panels

GU 3166



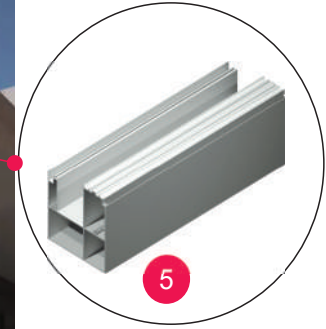
GU 3165



GU 3172



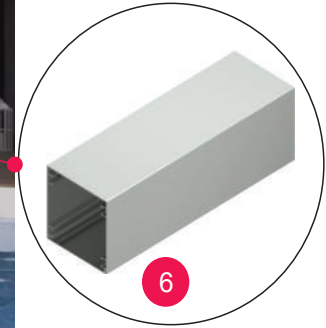
GU 3170



GU 3171



GU 3174



1 Panel

4 Connection Part of Rail

2 Cover

5 Rail

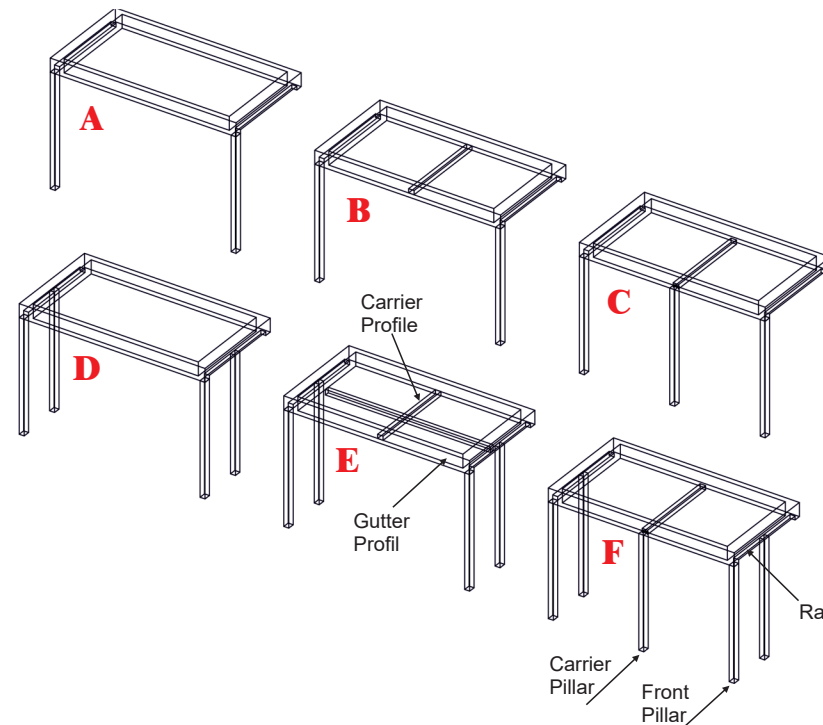
3 Gutter

6 Pillar

CALCULATE STRUCTURE OF ROLLING ROOF SYSTEMS

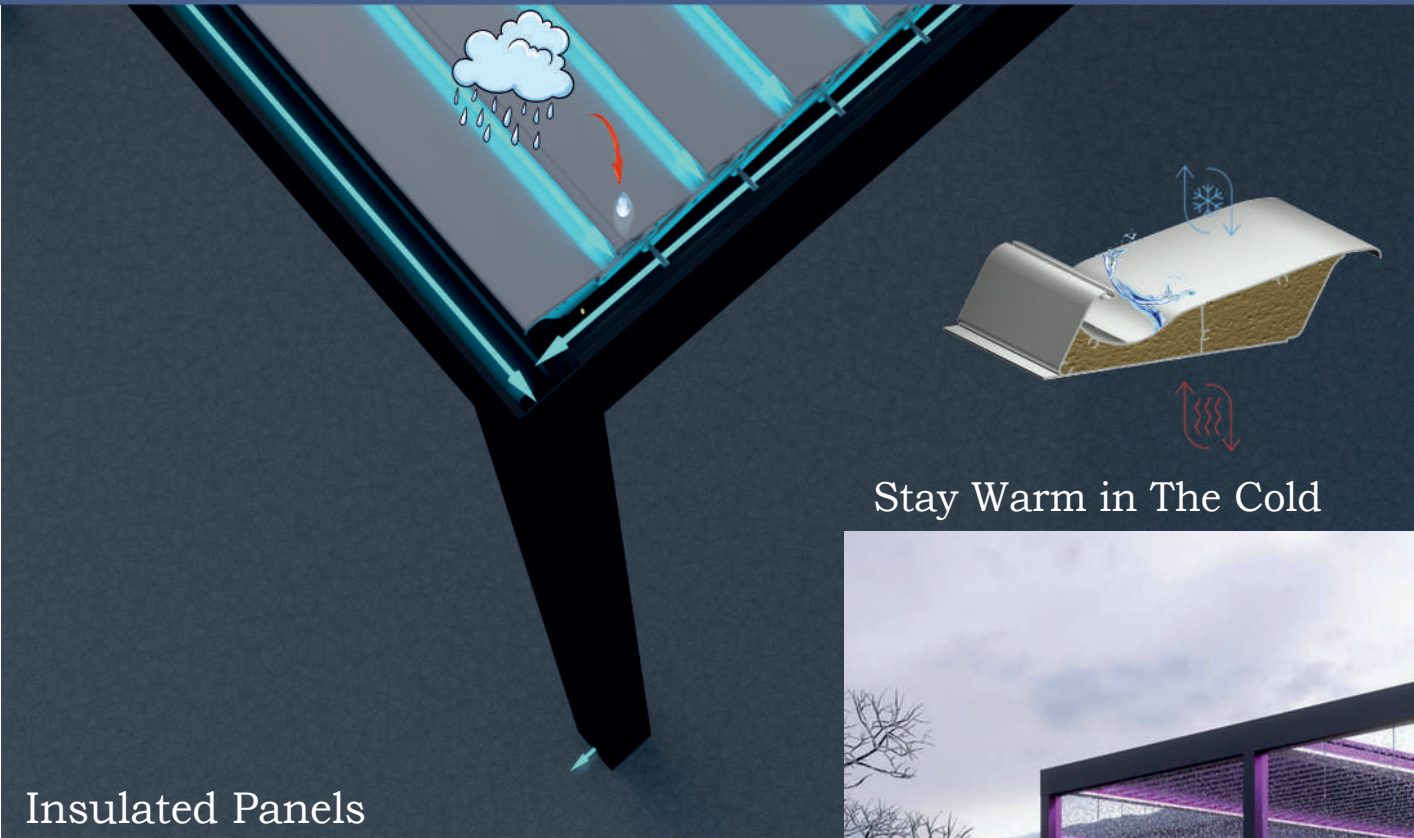
Projection / mm	Width / mm									
	MIN	3000	3500	4000	4500	5000	5500	6000	6500	7000
3000	A	A	B	C	C	C	C	C	C	C
3500	A	A	B	C	C	C	C	C	C	C
4000	A	A	B	C	C	C	C	C	C	C
4500	A	A	B	C	C	C	C	C	C	C
5000	A	A	B	C	C	C	C	C	C	C
5500	D	D	E	F	F	F	F	F	F	
6000	D	D	E	F	F	F	F	F	F	
6500	D	D	E	F	F	F	F	F	F	
7000	D	D	E	F	F	F				
7500	D	D	E	F	F	F				
8000	D	D	E	F						
8500	D	D	E	F						
9000	D	D	E	F						
9500	D	D	E							
10000	D	D	E							MAX

ROLLING ROOF Designing



CHARACTERISTICS

Installation	wall-mounted
Material...	aluminum
Canopy material	with smooth slats, sun shade louvers
Specifications	custom, Rolling bioclimatic, motorized, wind-proof
Options and accessories	with integrated LED
Style	contemporary
Ecological characteristics	energy-saving, recyclable, 100% recyclable
Color	Main Color (White / Black ...)



Stay Warm in The Cold



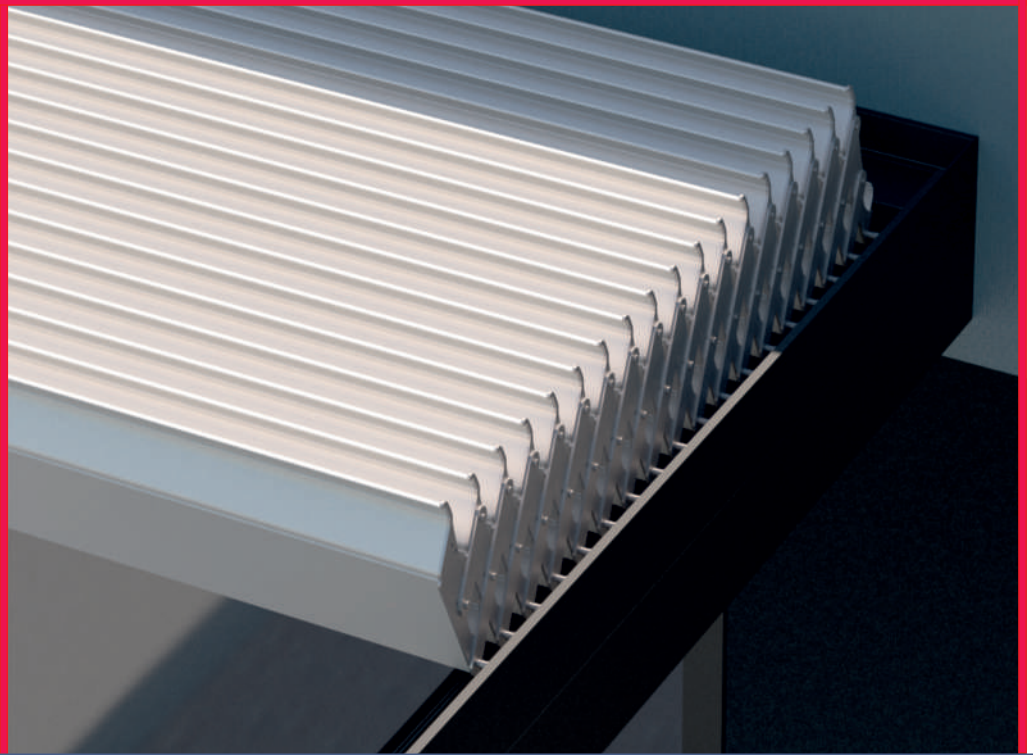
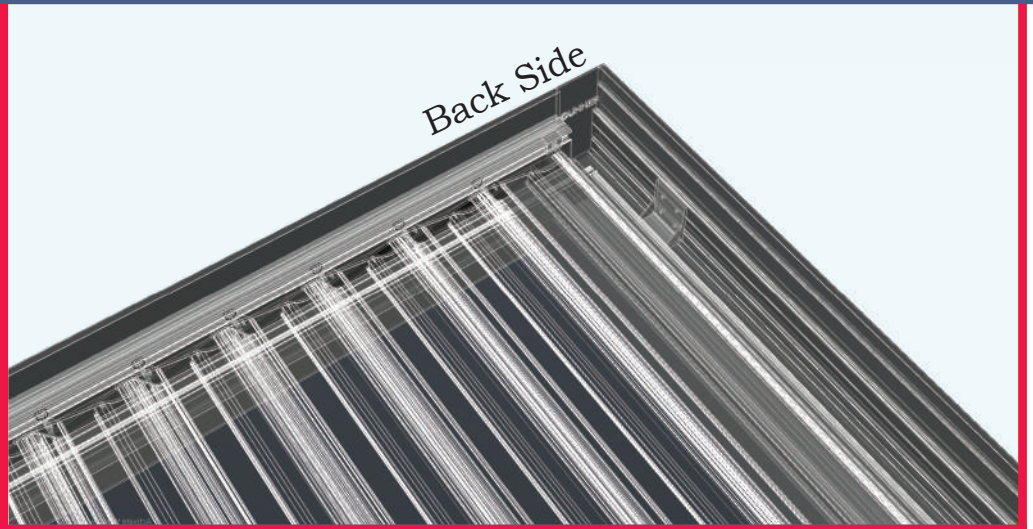
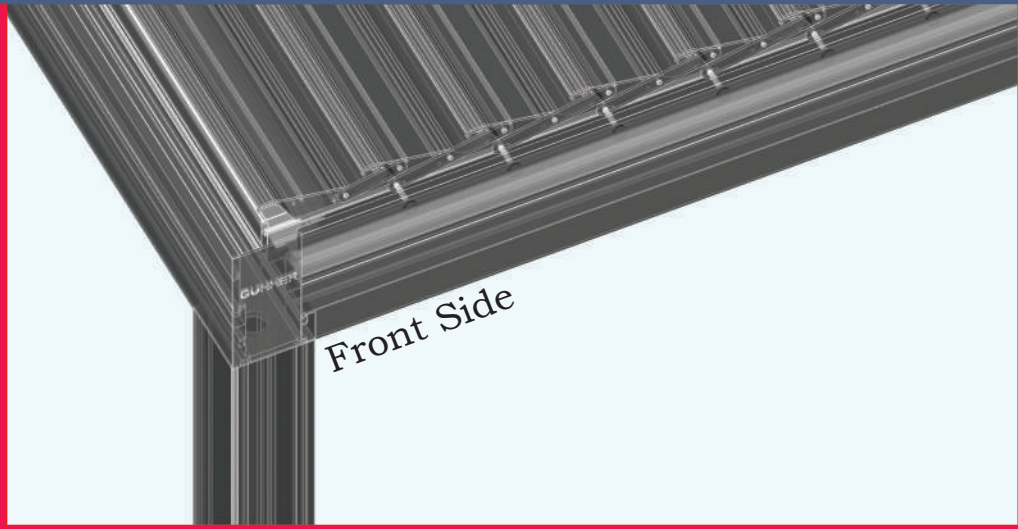
Stay Cold in The Warm

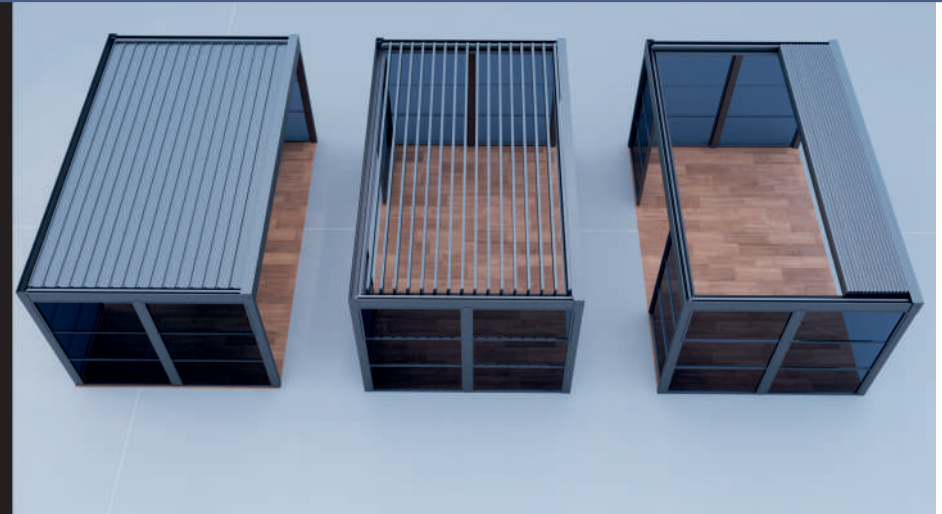
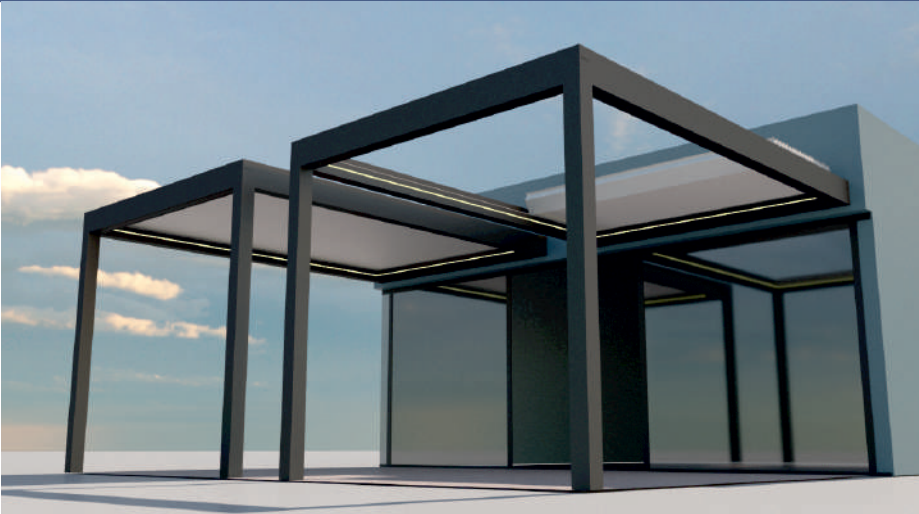
Insulated Panels

Significantly reduces wastage of hot weather in winter and cold weather in summer.

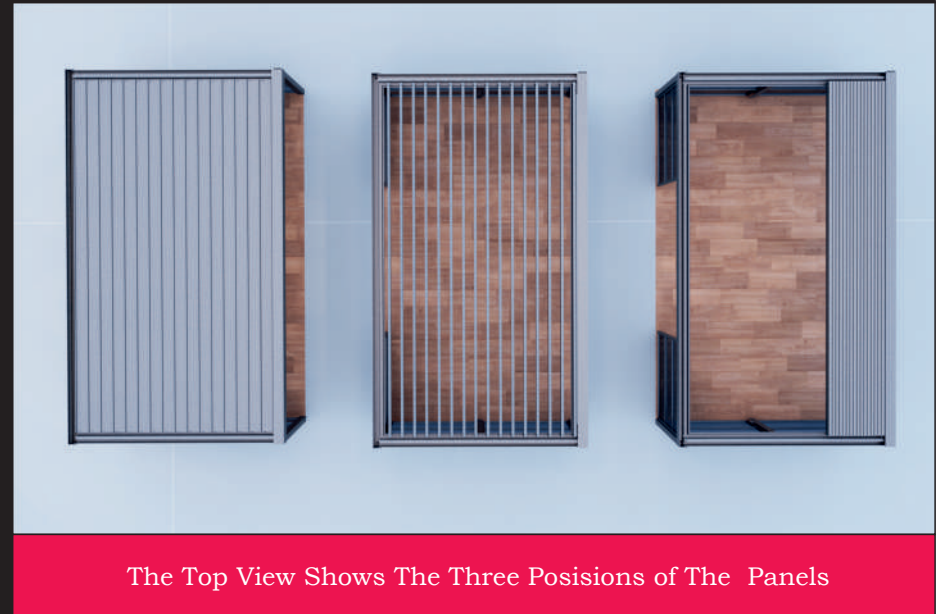
Panels can be filled with Polyurethane Foam which provides extra comfort.



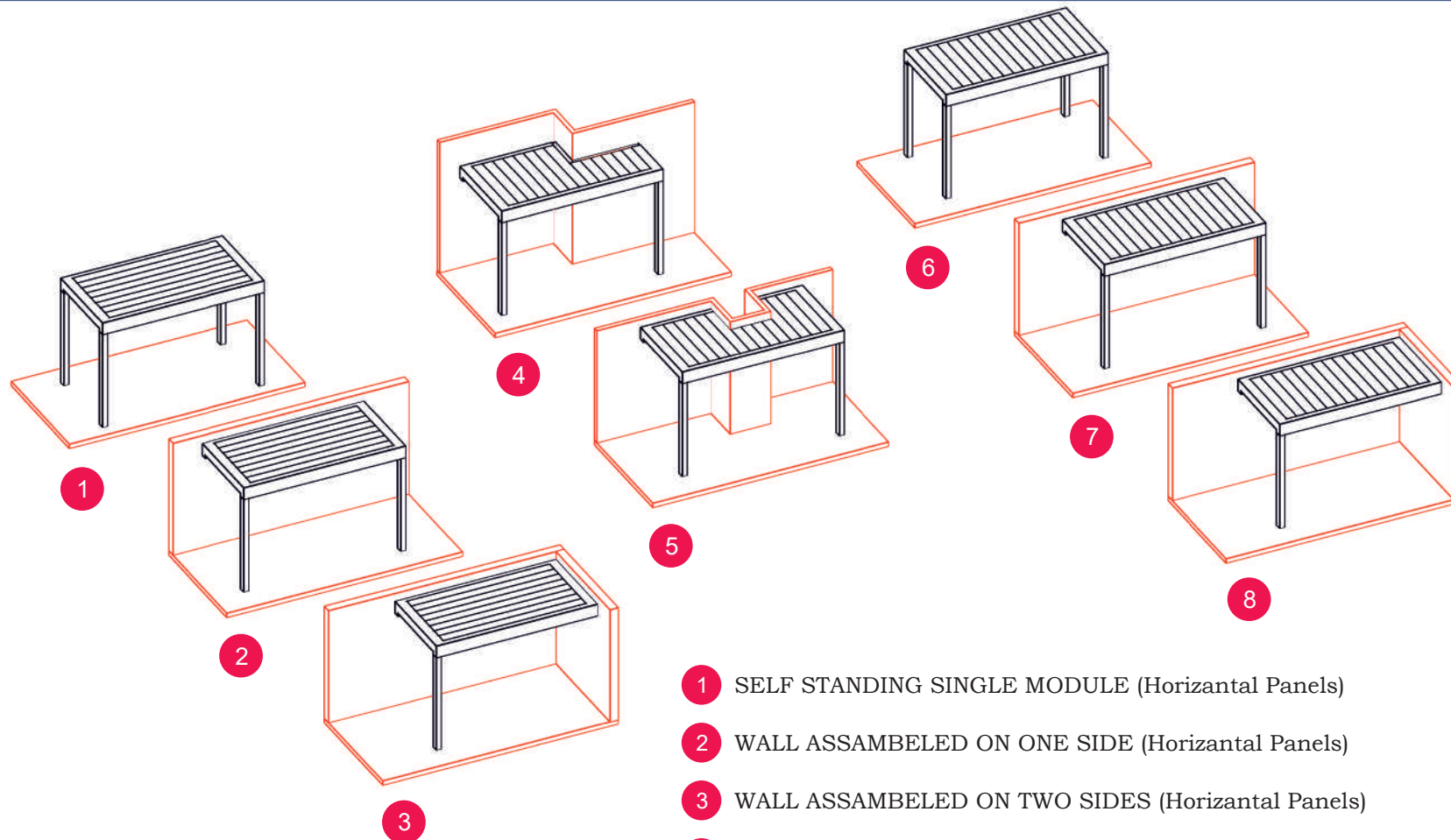




Rainwater or snow from the surface of the panels is directed to the gutters that are installed around the system and is directed into the pipes inside the pillars and finally drained out



The Top View Shows The Three Positions of The Panels



- 1 SELF STANDING SINGLE MODULE (Horizontal Panels)
- 2 WALL ASSAMBELED ON ONE SIDE (Horizontal Panels)
- 3 WALL ASSAMBELED ON TWO SIDES (Horizontal Panels)
- 4 WALL ASSAMBELED SINGLE MODULE
- 5 WALL ASSAMBELED SINGLE MODULE
- 6 SELF STANDING SINGLE MODULE (Vertical Panels)
- 7 WALL ASSAMBELED ON ONE SIDE (Vertical Panels)
- 8 WALL ASSAMBELED ON TWO SIDES (Vertical Panels)











